

Hegemon Electronics Inc.

BLUETOOTH ELD MODULE

MINI-ELD SERIES

What is Power Line Carrier Technology?

Power Line Carrier Technology or PLC for short, transmits digital data onto the vehicle's power line and allows tractor to trailer communications without adding any new wires.

Hegemon Electronics Inc.

35464 Mound Road
Sterling Heights, MI 48310
USA

Phone 586-977-6541

Fax 586-977-9096

Web address;

www.hegemonelectronics.com

E-mail: rays@hegemonelectronics.com

MINI-ELD SPECIFICATIONS

- ◆ Supply Voltage 10 to 16 VDC
- ◆ Powered from diagnostic connector
- ◆ Reverse Battery Protection
- ◆ Load Dump Protected
- ◆ Reverse transient protection
- ◆ Typical Supply Current
- ◆ Operating temperature -30° to 85° C
- ◆ Storage Temperature -40° to 85° C
- ◆ 1 Mbit data storage with expandable up to 4 Gbits.



The MINI-ELD series of PLC4TRUCKS Gateway Modules are Hegemon's latest addition to its PLC Gateway family of products. These modules provide A LOW COST Bi-Directional link for vehicle and trailer data through a Bluetooth connection.

The Bluetooth link will transmit data to a SmartPhone, Tablet, or other handheld device to comply with the requirement for 395.0 for HOS/CSA reporting. These modules have J1939, and Bluetooth interfaces with built-in UTC time stamp and 4 Gbit data storage. They can also collect and store tractor data in non-volatile memory for later download to the Host when connected.

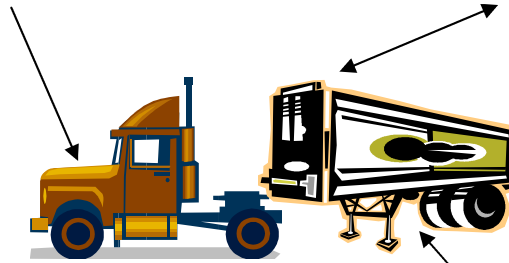
Features of MINI-ELD

- ✓ Bidirectional Communication on the Bluetooth to a Smart phone, Tablet or other device
- ✓ Bidirectional Communication on the Vehicle Bus
- ✓ Direct connection to vehicle diagnostic connector... no cable required
- ✓ Automatic Ignition on Detection
- ✓ Uses Bluetooth Serial Port Profile (SPP) communications for extremely fast data downloads.
- ✓ Automatic Vehicle Data Logging when not Connected to Host
- ✓ Extremely easy installation
- ✓ No monthly fees.
- ✓ Transmit up to 20 data points (programmable) to Host.
- ✓ Development kits available from Hegemon
- ✓ Communicates with Android, iOS, Windows 8, and Blackberry operating systems. No special drivers required.
- ✓ Bluetooth Sig and Apple Accessory certified.
- ✓ Anti Car Hacking features built in.

Typical Application of the MINI-ELD ELD Module

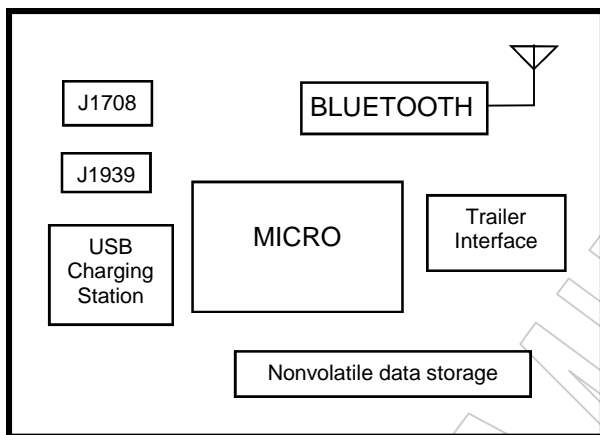
MINI-ELD GATEWAY

PLC GATEWAY



PLC IDENTIFIER TAG

ELD Series Block Diagram



Hegemon Applications:

- Wireless Engine Bus Interface
- Positive trailer and/or tractor identification
- ABS Warning Information
- Trailer ID from trailer ABS
- Tire Pressure Information
- Bluetooth Link
- CSA/HOS Data Reporting
- Trailer Door Status
- Theft Indicator/Trigger
- Data logging functions

About Hegemon Electronics Inc.

Since 1994, Hegemon Electronics has offered complete design services for the OEMs. We offer complete turnkey design services from conception through production. We specialize in the heavy-duty vehicle market but are versatile enough to take on other projects such as test equipment and other areas. Here are some services offered by Hegemon Electronics:

- Analog and Digital System Design
- Embedded Electronic System Designs
- Software Development in C/ C++ and Visual Basic
- PCB Layout
- Test Equipment Design
- EMC Compatibility Solutions
- Complete System Designs
- Product Manufacturing

Pinouts

Signal	3792	3764
Ground	Pin A	Brown
Power Input	Pin B	White
J1939-H	Pin C	Yellow
J1939-L	Pin D	Green
CAN Shield	Pin E	-

PART NUMBERS

Contact factory for details

3792: MINI-ELD with J1939 and Classic Bluetooth interfaces, 1 Mbit storage, expandable up to 4Gbit. No USB port. Android and Apple version. No PLC. With J1939 built-in diagnostic connector.

3764: MINI-ELD with J1939 and Classic Bluetooth interfaces, 1 Mbit storage, expandable up to 4Gbit. No USB port. Android and Apple version. No PLC. With cable harness.